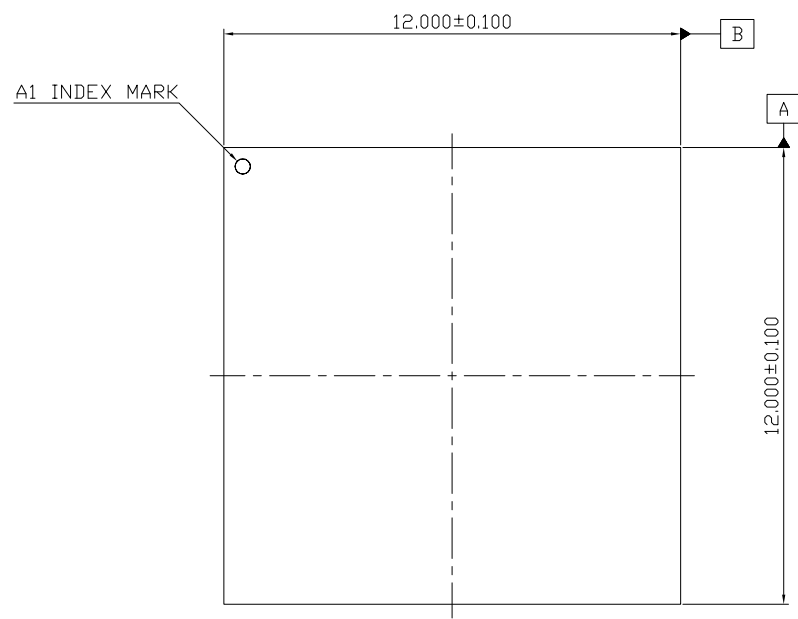
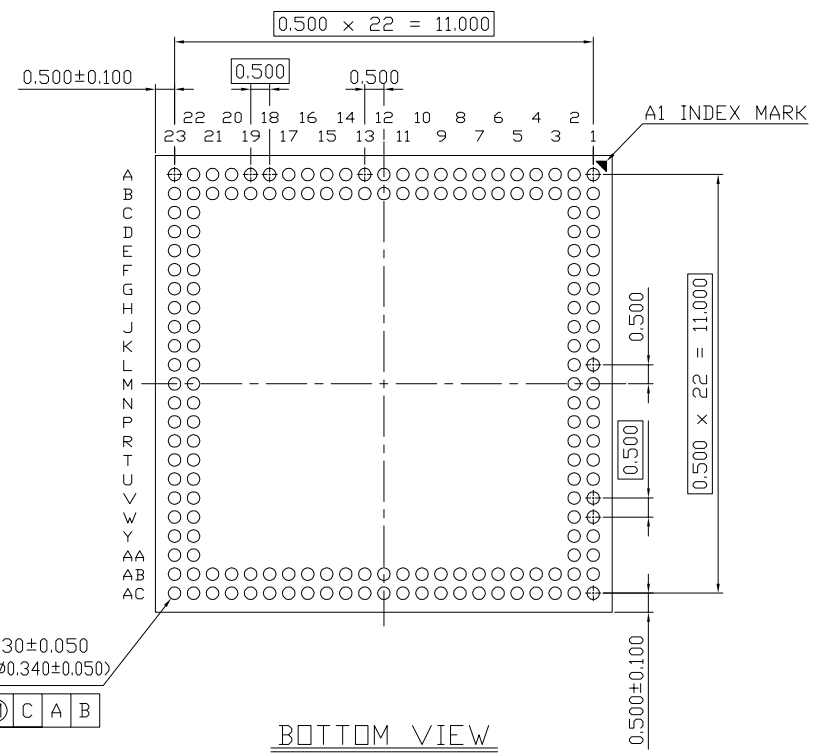


NO	REVISION ITEM	DATE	NO	REVISION ITEM	DATE
0	INITIAL	2009.06.02			
1	FORMAT CHANGE	2012.07.27			
	ATSEMICON STANDARD	2017.08.30			



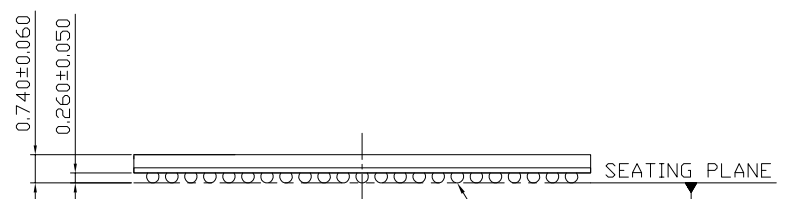
TOP VIEW



BOTTOM VIEW

168 X $\varnothing 0.330 \pm 0.050$
(Post Reflow $\varnothing 0.340 \pm 0.050$)

\varnothing	$\varnothing 0.15$	\varnothing	C	A	B
---------------	--------------------	---------------	---	---	---



FRONT VIEW

		TITLE	FBGA 168BALL<POP>			
			12.00x12.00x0.80			
REF. DWG. NO	HPSA-D0426	DWG. NO	GPD0217			
DES. BY	대리 / 남우식	17.08.30	REV. NO	UNIT	SCALE	SHEET
CHE. BY			1	mm	10/1	1/1
APP. BY	차장 / 임동묵	17.08.30				